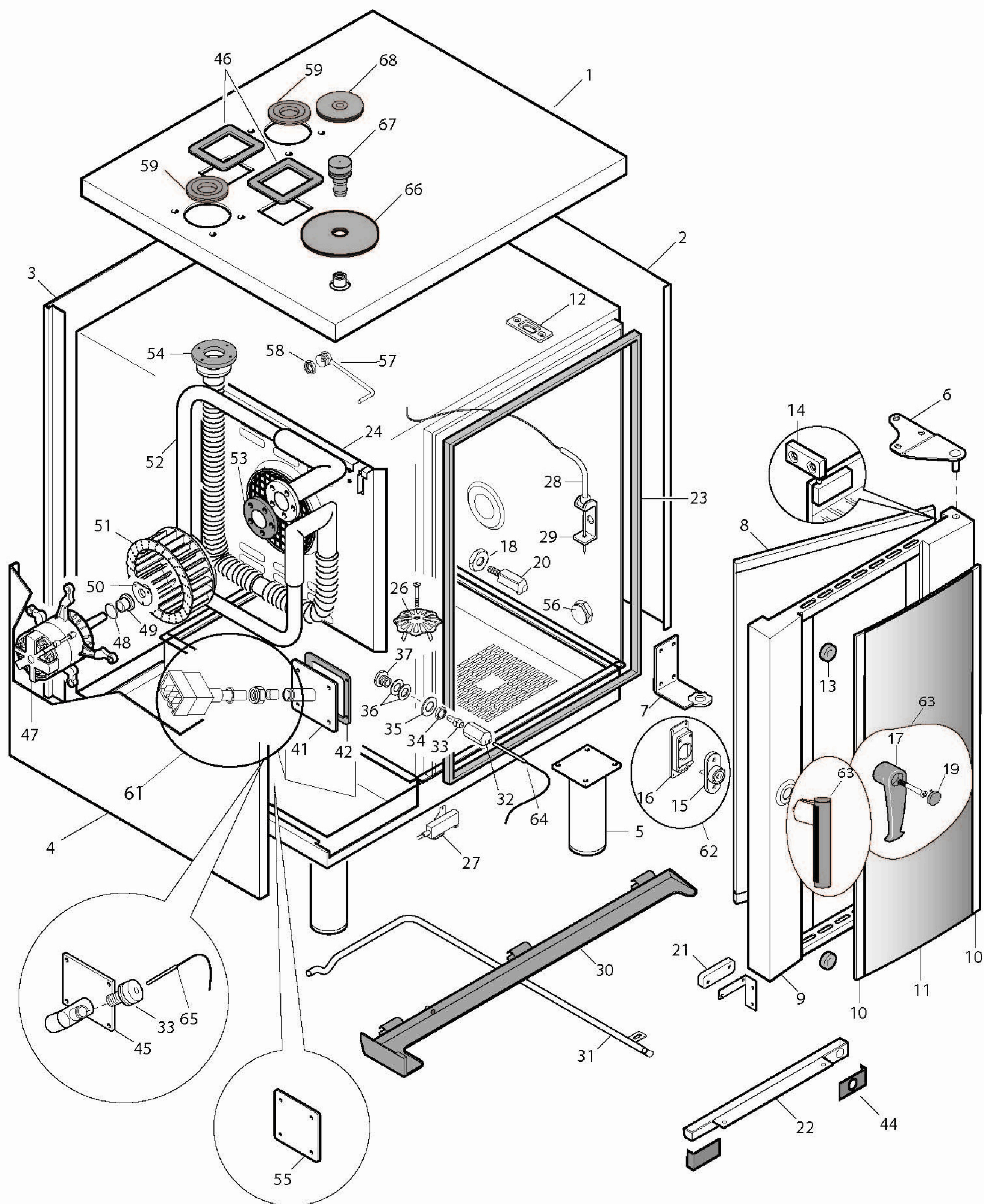
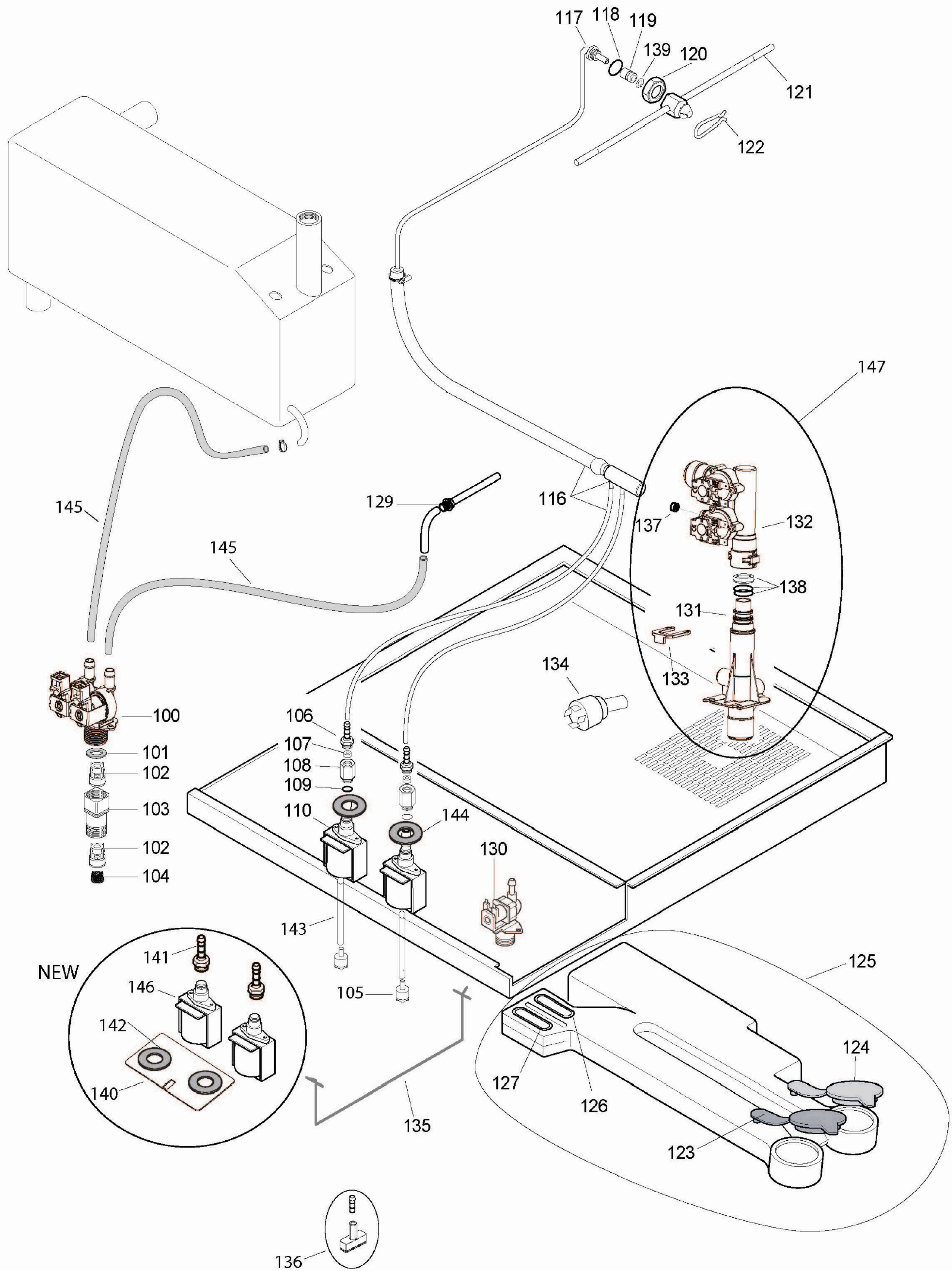


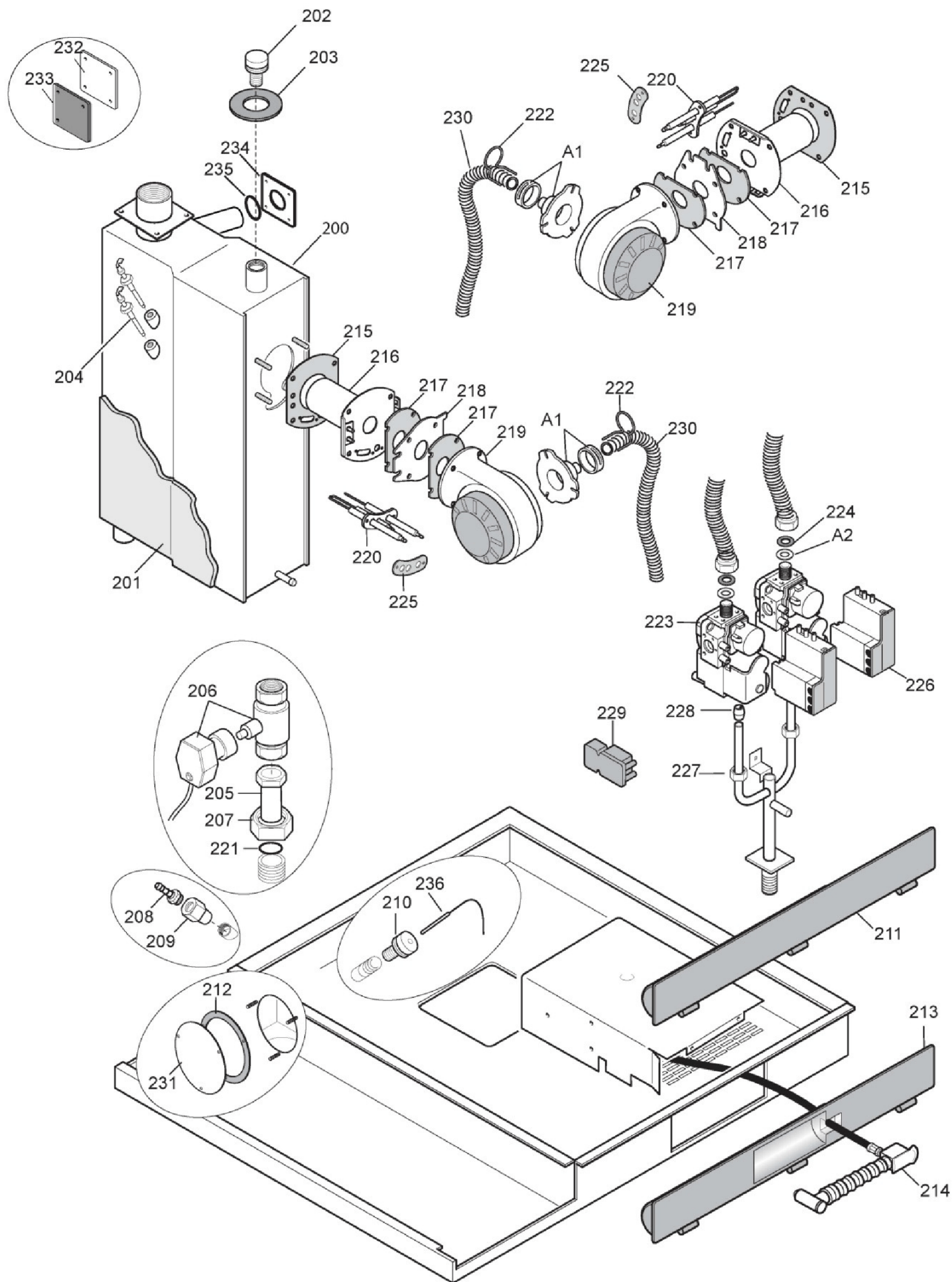
PNC	Model	Ref	Group	Level	Page	Notes
237702	FCZ101GTG	a	FCZ	Touch	2...10	230V 50Hz STD
237712	FCZ101GTD	b	FCZ	Touch	2...10	230V 50Hz LPG
238702	FCZ101GBG2	c	FCZ	Level B	2...10	230V 50Hz STD
238712	FCZ101GBD2	d	FCZ	Level B	2...10	230V 50Hz LPG
238722	FCZ101GBL2	e	FCZ	Level B	2...10	100V 50/60Hz JAP LPG
239702	FCZ101GCG2	f	FCZ	Level C	2...10	230V 50Hz STD
239712	FCZ101GCD2	g	FCZ	Level C	2...10	230V 50Hz LPG
267702	AOS101GTG1	h	AOS	Touch	2...10	230V 50Hz STD
267712	AOS101GTD1	i	AOS	Touch	2...10	230V 50Hz LPG
267752	AOS101GTP1	l	AOS	Touch	2...10	120V 60Hz USA
267782	AOS101GTW1	m	AOS	Touch	2...10	230V 50Hz UK
268702	AOS101GBG2	n	AOS	Level B	2...10	230V 50Hz STD
268712	AOS101GBD2	o	AOS	Level B	2...10	230V 50Hz LPG
268782	AOS101GBW2	p	AOS	Level B	2...10	230V 50Hz UK
269702	AOS101GCG2	q	AOS	Level C	2...10	230V 50Hz STD
269712	AOS101GCD2	r	AOS	Level C	2...10	230V 50Hz LPG
269792	AOS101GKY2	s	AOS	Level C	2...10	230V 50Hz Bakery
269782	AOS101GCW2	t	AOS	Level C	2...10	230V 50Hz UK
267542	AOS101GAQ1	u	AOS	Level A	2...10	230V 50Hz Nando's
<b>266702</b>	<b>AOS101GKG1</b>	<b>v</b>	<b>AOS</b>	<b>Level K</b>	<b>2...10</b>	<b>230V 50Hz STD</b>
<b>266712</b>	<b>AOS101GKD1</b>	<b>z</b>	<b>AOS</b>	<b>Level K</b>	<b>2...10</b>	<b>230V 50Hz LPG</b>
<b>266752</b>	<b>AOS101GKP1</b>	<b>A</b>	<b>AOS</b>	<b>Level K</b>	<b>2...10</b>	<b>120V 60Hz USA</b>
<b>269752</b>	<b>AOS101GCP1</b>	<b>B</b>	<b>AOS</b>	<b>Level C</b>	<b>2...10</b>	<b>120V 60Hz USA</b>
<b>237802</b>	<b>FCZ101GTZ</b>	<b>C</b>	<b>FZC</b>	<b>Level T</b>	<b>2...10</b>	<b>230V 50Hz STD</b>
<b>238802</b>	<b>FCZ101GBZ2</b>	<b>D</b>	<b>FCZ</b>	<b>Level B</b>	<b>2...10</b>	<b>230V 50Hz STD</b>
<b>239802</b>	<b>FCZ101GCZ2</b>	<b>E</b>	<b>FCZ</b>	<b>Level C</b>	<b>2...10</b>	<b>230V 50Hz STD</b>
<b>266802</b>	<b>AOS101GKZ1</b>	<b>F</b>	<b>AOS</b>	<b>Level K</b>	<b>2...10</b>	<b>230V 50Hz STD</b>
<b>267802</b>	<b>AOS101GTZ1</b>	<b>G</b>	<b>AOS</b>	<b>Level T</b>	<b>2...10</b>	<b>230V 50Hz STD</b>
<b>268802</b>	<b>AOS101GBZ2</b>	<b>H</b>	<b>AOS</b>	<b>Level B</b>	<b>2...10</b>	<b>230V 50Hz STD</b>
<b>269802</b>	<b>AOS101GCZ2</b>	<b>I</b>	<b>AOS</b>	<b>Level C</b>	<b>2...10</b>	<b>230V 50Hz STD</b>

Pag	Index	Indice	Note
2	Oven cabinet and door.	Cella forno e porta	
3	Water system	Impianto idraulico	
4	Boiler	Boiler	
5	Electrical components	Componenti elettrici	
6	Accessories	Accessori	
7...10	Spare parts list	Lista ricambi	

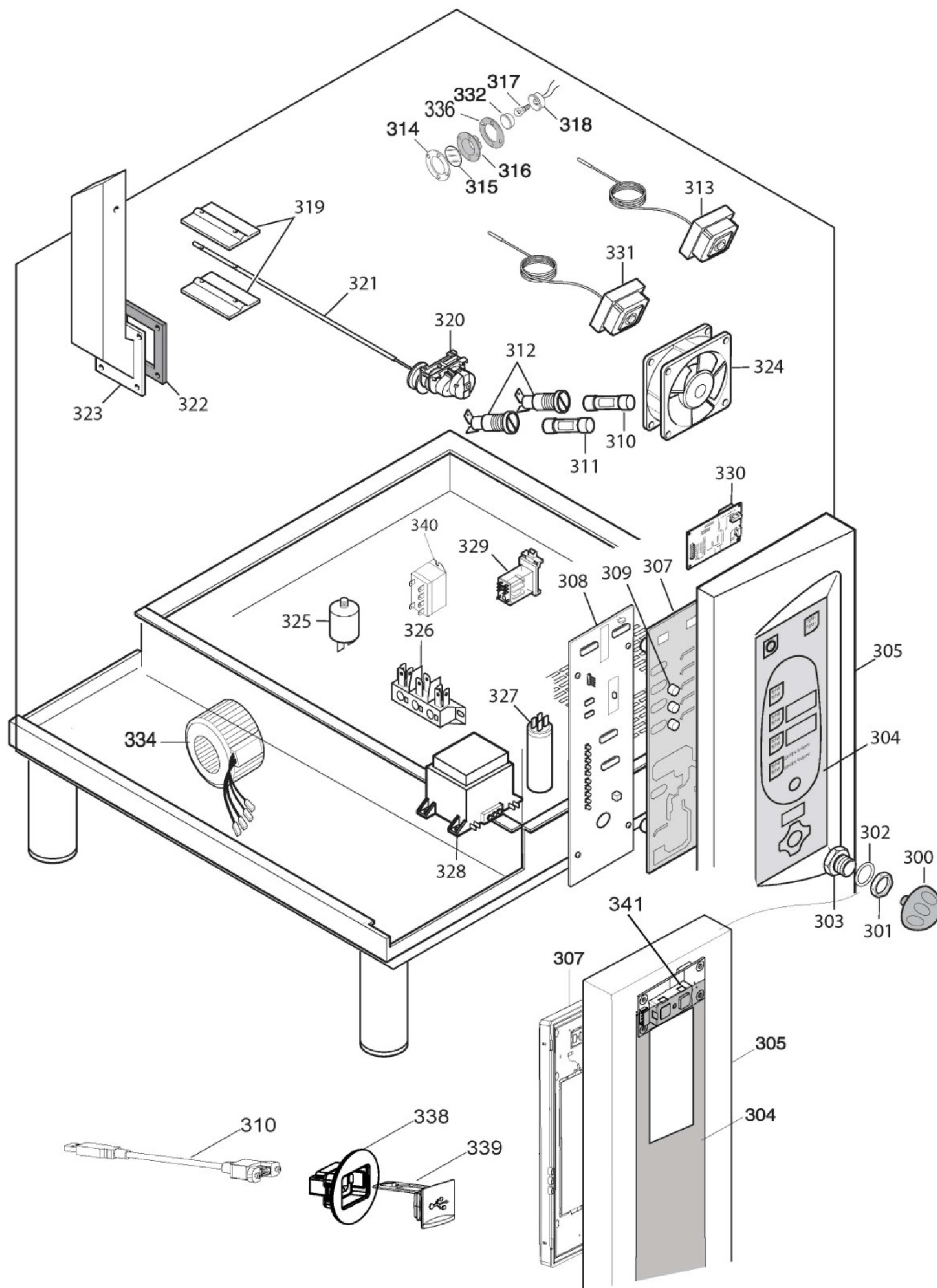
Brand/Marchio: All  
Factory code: 9PDD

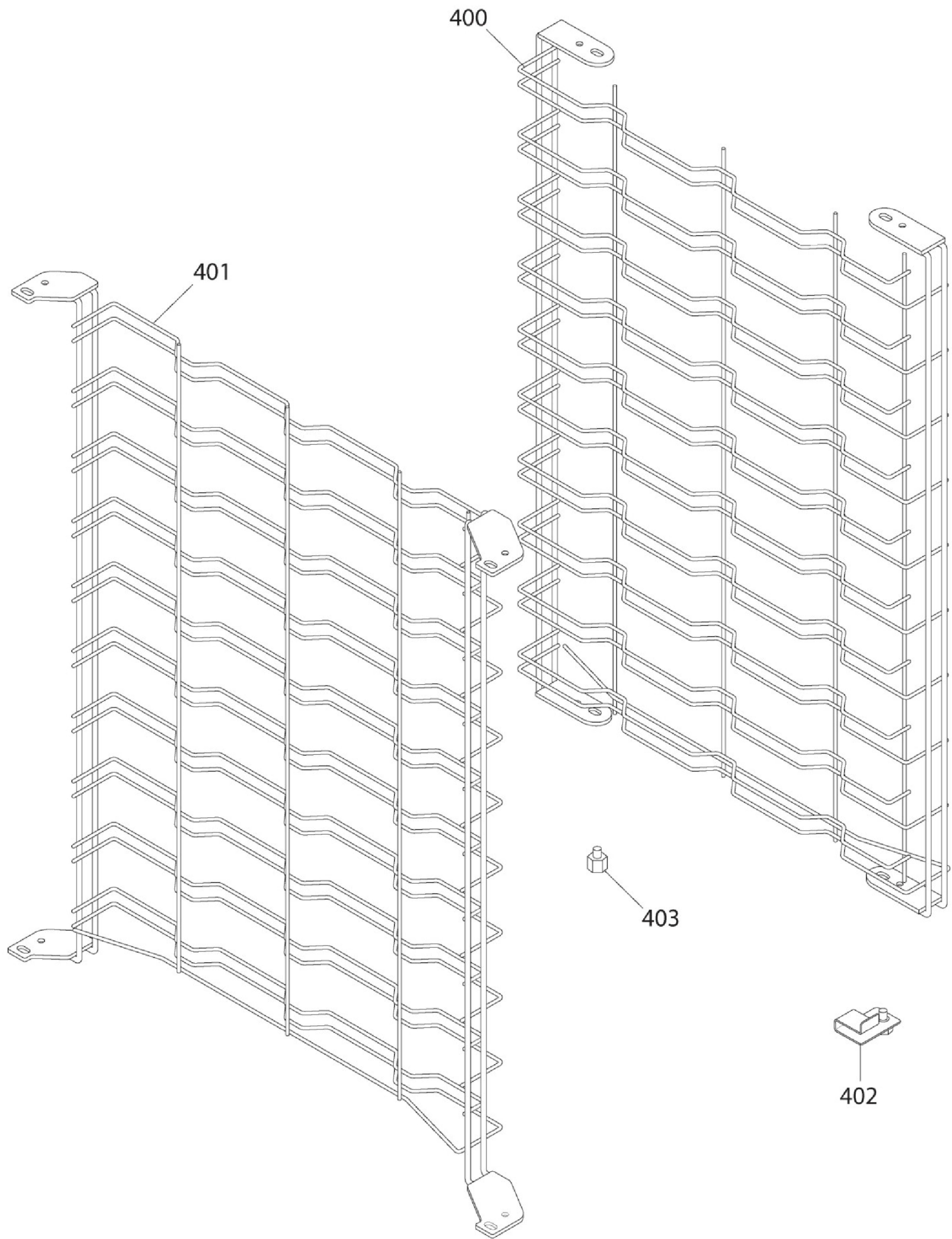






GAS	AERATORE/AERATOR		DIAFRAMMA/DIAPHRAGM		DIAFRAMMA/DIAPHRAGM	
	POS. A1 CELLA/CAVITY	POS. A1 BOILER	POS. A2 CELLA/CAVITY	POS. A2 BOILER	POS. 218 CELLA/CAVITY	POS. 218 BOILER
G20	OC1045 (ROSSA/RED)	0806826600 (VERDE/GREEN)	OC1139 (ø 7)	OC2444 (ø 7,5)	OC4110 (ø 18)	OC4125 (ø 21)
G25	OC1045 (ROSSA/RED)	0806826600 (VERDE/GREEN)	OC1141 (ø 8)	OC1143 (ø 8,5)	OC4110 (ø 18)	OC4125 (ø 21)
G30	OC1045 (ROSSA/RED)	0806826600 (VERDE/GREEN)	OC2442 (ø 5.5)	OC2446 (ø 5,8)	OC4110 (ø 18)	OC4110 (ø 18)
LPG	OC1045 (ROSSA/RED)	0806826600 (VERDE/GREEN)	OC1140 (ø 5.7)	OC1142 (ø 6,15)	OC4110 (ø 18)	OC4110 (ø 18)





---

**CATALOGO RICAMBI PER DOCGETTA****0C4248**

-----

**SPARE PART LIST FOR****0C4248****SPRAY HOSE REEL**

